



**CONTRACTOR  
SOLUTIONS**®

# **PREMIUM GRADE SCREWS**

Distributed Exclusively through Can-Cell Industries Inc. and available  
through authorized dealers in Western Canada.



**CONTRACTOR  
SOLUTIONS**®

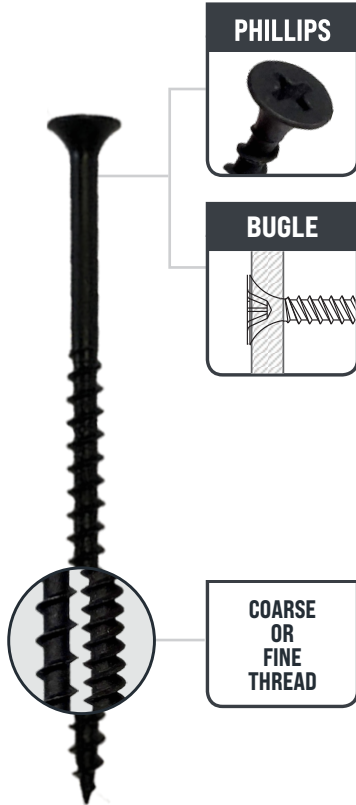
***PREMIUM GRADE  
SCREWS***

*DRYWALL SCREWS* ..... 1 - 3  
*YELLOW ZINC WOOD SCREWS* ..... 6 - 9

*DECK SCREWS* ..... 10 - 16  
*SHEET METAL SCREWS* ..... 17 - 18

# DRYWALL SCREWS

PHOSPHATE  
**PH**



## FEATURES

- Phosphate coated providing superior holding power and an adhesive base for paint and drywall compounds
- Features a bugle head for quick attachment and smooth finish of drywall to studs

## FORMATS BY THREAD TYPE

COARSE THREAD .....	P. 2
FINE THREAD .....	P. 3

# DRYWALL SCREWS



## SIZE CHART

PACKAGE FORMAT		<b>BULK CARTON</b> (48 CARTONS/PALLET)	
LENGTH (IN)	GAUGE	CODE	SCREW COUNT
1-1/4"	#6	DS11/4	8,000
1-5/8"	#6	DS15/8	5,000
2"	#6	DS2	3,500
2-1/2"	#6	DS21/2	2,500
PACKAGE FORMAT		<b>10 LB. BUCKET</b> (72 BUCKETS/PALLET)	
LENGTH (IN)	GAUGE	CODE	SCREW COUNT
1-1/4"	#6	DS1-1/4L10	2,825
1-5/8"	#6	DS15/8L10	2,193
PACKAGE FORMAT		<b>SMALL BUCKET</b> (8 BUCKETS/CARTON)	
LENGTH (IN)	GAUGE	CODE	SCREW COUNT
1-1/4"	#6	DS11/4SBK	1,000
1-5/8"	#6	DS15/8SBK	1,000

# DRYWALL SCREWS



## SIZE CHART

PACKAGE FORMAT		<b>BULK CARTON (48 CARTONS/PALLET)</b>	
LENGTH (IN)	GAUGE	CODE	SCREW COUNT
1-1/4"	#6	DS11/4F	8,000
PACKAGE FORMAT		<b>10 LB. BUCKET (72 BUCKETS/PALLET)</b>	
LENGTH (IN)	GAUGE	CODE	SCREW COUNT
1-1/4"	#6	DS1-1/4FL10	2,825
1-5/8"	#6	DS15/8FL10	2,193

# WOOD SCREWS



## FEATURES

- Yellow zinc coated wood screw ideal for interior applications
- Flat 4-LUG Head features a flat top with smooth radius and 4-Lugs to assist with counter-sinking
- 2/3 Lo-Root® Aster® thread features a serrated tooth design for quicker starting and less drive torque

## PACKAGE FORMATS

BULK CARTONS .....	<i>P. 5</i>
10 LB./ 20 LB. BUCKETS.....	<i>P. 6</i>
SMALL BUCKETS.....	<i>P. 7</i>



# WOOD SCREWS

## BULK CARTONS



#2 Robertson Bit Included



### SIZE CHART

PACKAGE FORMAT		BULK CARTON (48 CARTONS/PALLET)	
LENGTH (IN)	GAUGE	CODE	SCREW COUNT
1"	#8	DDS46	10,000
1-1/4"	#8	DDS48	7,000
1-1/2"	#8	DDS49	6,000
1-3/4"	#8	DDS50	5,000
2"	#8	DDS51	3,500
2-1/2"	#8	DDS52	2,500
3"	#8	DDS53	2,000
3"	#10	DDS80	1,500
3-1/2"	#10	DDS81	1,500
4"	#10	DDS82	1,000
5"	#10	DDS83	1,000
6"	#10	DDS84	1,000

## WOOD SCREWS

10 LB. / 20 LB. BUCKETS



#2 Robertson Bit  
Included



## SIZE CHART

- Not Available

PACKAGE FORMAT		20 LB. BUCKET (48 BUCKETS/PALLET)		10 LB. BUCKET (72 BUCKETS/PALLET)	
LENGTH (IN)	GAUGE	CODE	SCREW COUNT	CODE	SCREW COUNT
1-1/4"	#8	DDS48L20	4,535	DDS48L10	2,237
1-1/2"	#8	DDS49L20	3,944	DDS49L10	1,919
1-3/4"	#8	DDS50L20	3,423	DDS50L10	1,681
2"	#8	DDS51L20	3,024	DDS51L10	1,456
2-1/2"	#8	DDS52L20	2,485	DDS52L10	1,190
3"	#8	DDS53L20	2,110	DDS53L10	1,007
3-1/2"	#10	DDS81L20	1,226	DDS81L10	608
4"	#10	DDS82L20	1,080	DDS82L10	536



# WOOD SCREWS

SMALL BUCKETS



#2 Robertson Bit  
Included



## SIZE CHART

- Not Available

PACKAGE FORMAT		SMALL BUCKET (8 BUCKETS/CARTON)	
LENGTH (IN)	GAUGE	CODE	SCREW COUNT
1"	#8	DDS46SBK	1,500
1-1/4"	#8	DDS48SBK	1,000
1-1/2"	#8	DDS49SBK	750
1-3/4"	#8	DDS50SBK	750
2"	#8	DDS51SBK	650
2-1/2"	#8	DDS52SBK	450
3"	#8	DDS53SBK	250
3-1/2"	#10	DDS81SBK	250
4"	#10	DDS82SBK	200
5"	#10	DDS83SBK	150
6"	#10	DDS84SBK	75

# DECK SCREWS - GREEN



## FEATURES

- Flat 4-LUG Head features a flat top with smooth radius and 4-Lugs to assist with counter-sinking
- 2/3 Lo-Root® Aster® thread features a serrated tooth design for quicker starting and less drive torque
- Weather Guard finish offers excellent corrosion resistance and is designed for use with ACQ treated lumber
- Head blends with common decking woodtones

## PACKAGE FORMATS

BULK CARTONS .....	<i>P. 9</i>
SMALL BUCKETS .....	<i>P. 10</i>

# DECK SCREWS



#2 Robertson Bit  
Included



## SIZE CHART

PACKAGE FORMAT		BULK CARTON (48 CARTONS/PALLET)	
LENGTH (IN)	GAUGE	CODE	SCREW COUNT
1"	#8	DDSG49	10,000
1-3/4"	#8	DDSG50	5,000
2"	#8	DDSG51	3,500
2-1/2"	#8	DDSG52	2,500
3"	#8	DDSG53	2,000
3-1/2"	#10	DDSG81	1,500
4"	#10	DDSG82	1,000

## DECK SCREWS

SMALL BUCKETS



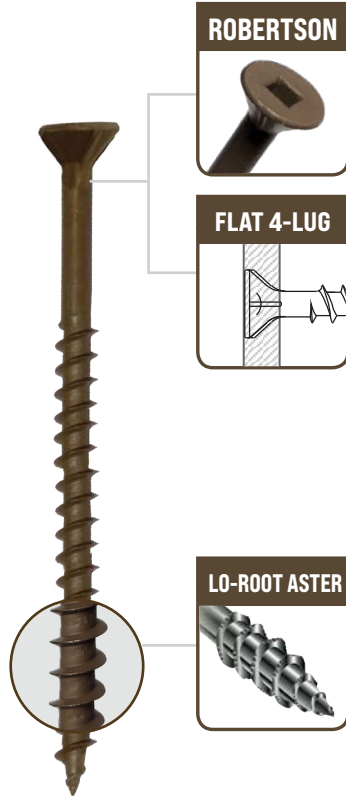
#2 Robertson Bit  
Included



## SIZE CHART

PACKAGE FORMAT		SMALL BUCKET (8 BUCKETS/CARTON)	
LENGTH (IN)	GAUGE	CODE	SCREW COUNT
1-1/2"	#8	DDSG49SBK	750
1-3/4"	#8	DDSG50SBK	750
2"	#8	DDSG51SBK	650
2-1/2"	#8	DDSG52SBK	500
3"	#8	DDSG53SBK	450
3-1/2"	#10	DDSG81SBK	250
4"	#10	DDSG82SBK	200

# DECK SCREWS - BROWN



## FEATURES

- Flat 4-LUG Head features a flat top with smooth radius underneath and 4-Lugs to assist with counter-sinking
- 2/3 Lo-Root® Aster® thread features a serrated tooth design for quicker starting and less drive torque
- Weather Guard finish offers excellent corrosion resistance and is designed for use with ACQ treated lumber
- Head blends with common decking woodtones

## PACKAGE FORMATS

BULK CARTONS .....	<i>P. 12</i>
10 LB. / 20 LB. BUCKETS .....	<i>P. 13</i>
SMALL BUCKETS .....	<i>P. 14</i>

# DECK SCREWS

## BULK CARTONS



#2 Robertson Bit  
Included



### SIZE CHART

PACKAGE FORMAT		BULK CARTON (48 CARTONS/PALLET)	
LENGTH (IN)	GAUGE	CODE	SCREW COUNT
1-1/4"	#8	DDSB48	7,000
1-1/2"	#8	DDSB49	6,000
1-3/4"	#8	DDSB50	5,000
2"	#8	DDSB51	3,500
2-1/2"	#8	DDSB52	2,500
3"	#8	DDSB53	2,000
3-1/2"	#10	DDSB81	1,500
4"	#10	DDSB82	1,000



# DECK SCREWS

10 LB. / 20 LB. BUCKETS



#2 Robertson Bit  
Included



## SIZE CHART

Not Available

PACKAGE FORMAT		20 LB. BUCKET (48 BUCKETS/PALLET)		10 LB. BUCKET (72 BUCKETS/PALLET)	
LENGTH (IN)	GAUGE	CODE	SCREW COUNT	CODE	SCREW COUNT
1-1/4"	#8	DDSB48L20	4,535	-	-
1-1/2"	#8	DDSB49L20	3,944	DDSB49L10	1,919
1-3/4"	#8	DDSB50L20	3,423	DDSB50L10	1,681
2"	#8	DDSB51L20	3,024	DDSB51L10	1,456
2-1/2"	#8	DDSB52L20	2,485	DDSB52L10	1,190
3"	#8	DDSB53L20	2,110	DDSB53L10	1,007
3-1/2"	#10	DDSB81L20	1,226	DDSB81L10	608
4"	#10	DDSB82L20	1,080	-	-
5"	#10	DDSB83L20	864	-	-
6"	#10	DDSB84L20	727	-	-

# DECK SCREWS


SMALL BUCKETS



#2 Robertson Bit  
Included

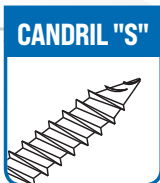
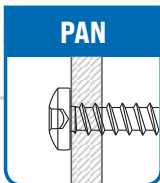


## SIZE CHART

 Not Available

PACKAGE FORMAT		SMALL BUCKET (8 BUCKETS/CARTON)	
LENGTH (IN)	GAUGE	CODE	SCREW COUNT
1-1/4"	#8	DDSB48SBK	1,000
1-1/2"	#8	DDSB49SBK	750
1-3/4"	#8	DDSB50SBK	750
2"	#8	DDSB51SBK	650
2-1/2"	#8	DDSB52SBK	500
3"	#8	DDSB53SBK	450
3-1/2"	#10	DDSB81SBK	250
4"	#10	DDSB82SBK	200
5"	#10	DDSB83SBK	150
6"	#10	DDSB84SBK	75

# SHEET METAL SCREWS



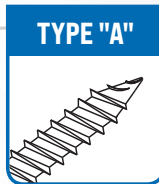
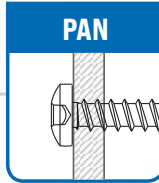
#2 Robertson Bit Included

## SIZE CHART

PACKAGE FORMAT		BULK CARTON (48 CARTONS/PALLET)	
LENGTH (IN)	GAUGE	PART #	SCREW COUNT
9/16"	#8	DDSPANS9/16	10,000



# SHEET METAL SCREWS



#2 Robertson Bit  
Included

## SIZE CHART

PACKAGE FORMAT		<b>BULK CARTON (48 CARTONS/PALLET)</b>	
LENGTH (IN)	GAUGE	PART #	SCREW COUNT
1-1/2"	#8	<b>DDSPANA1-1/2</b>	5,000



# SCREW COATINGS GUIDE



## PHOSPHATE

- ▶ Reduces friction when driven and provides a surface that bonds well with joint compound and paint
- ▶ Intended for interior applications where corrosion resistance is not required



## ZINC

- ▶ Electroplating process using zinc intended for interior applications



## YELLOW ZINC

- ▶ Electroplating process using yellow zinc intended for interior applications
- ▶ Helps resist corrosion



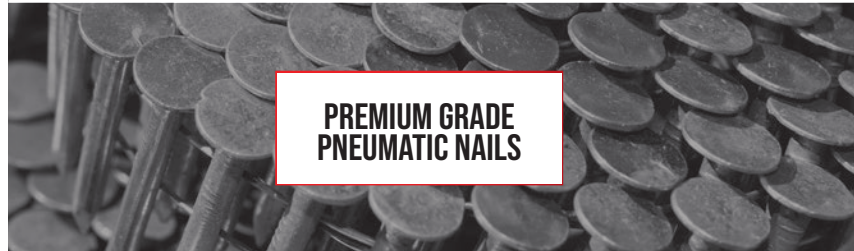
## WEATHER GUARD

- ▶ Duplex coating system combining an electroplated zinc and chromate substrate layer with an organic topcoat
- ▶ Offers excellent resistance to galvanic reactions that occur due to the copper found in ACQ treated wood

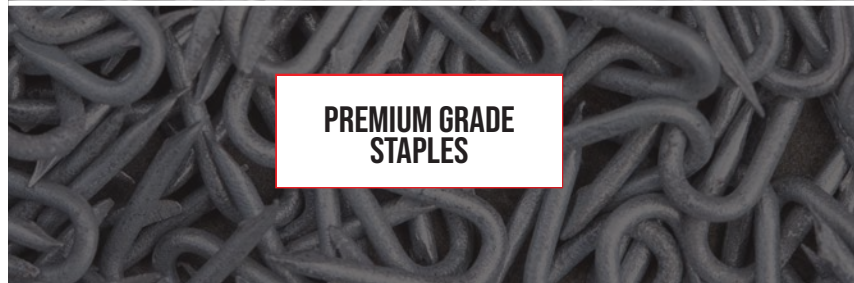
# DISCOVER OUR FULL LINE OF FASTENING SOLUTIONS



**PREMIUM GRADE  
HAND NAILS**



**PREMIUM GRADE  
PNEUMATIC NAILS**



**PREMIUM GRADE  
STAPLES**



# CONTRACTOR SOLUTIONS

®

---

 [.com/cancellindustries](https://www.facebook.com/cancellindustries)  [cancell\\_industries](https://www.instagram.com/cancell_industries)



1-800-661-5031 • [can-cell.com](https://www.can-cell.com)