

A photograph of a modern bathroom vanity. The countertop is made of light-colored marble. On the left and right sides, there are dark-colored faucets. In the center, there is a potted plant with green leaves in a white ceramic pot. The background is a dark wall. The text 'CONTRACTOR SOLUTIONS' is overlaid on the image in a white box with a blue border.

CONTRACTOR
SOLUTIONS[®]

FREESTANDING VANITIES

Distributed Exclusively through Can-Cell Industries Inc. and available through authorized dealers in Western Canada.





MONZA COLLECTION

12



CORDOBA COLLECTION

4



TORINO COLLECTION

18



ROME COLLECTION

28



BRAYLEE COLLECTION

24



CORDOBA COLLECTION

CORDOBA

The CORDOBA Vanity Collection blends storage and style with a touch of luxury. Features a white, engineered marble countertop and shaker style cabinet doors and drawers beautifully finished with knurled metal hardware adding a refined look.

Some assembly required.

BODY

Solid Wood Legs // MDF Front Pannelling with PVC Thermofoil // Particle Board with Melamine on Side and Bottom Panels

VANITY TOP

White Engineered Marble

SINK

Built-in 20" Rectangular Ceramic

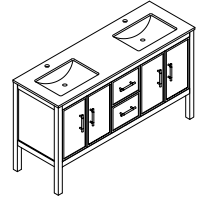
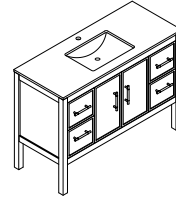
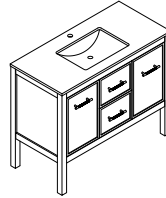
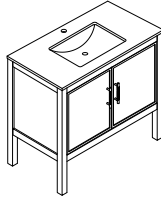
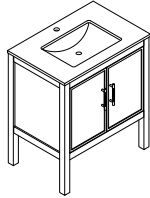
FAUCET CONFIGURATION

Single Faucet

HARDWARE

Soft Closing Hinges / Drawer Slides
Knurled Cabinet Pulls (Gold / Black)

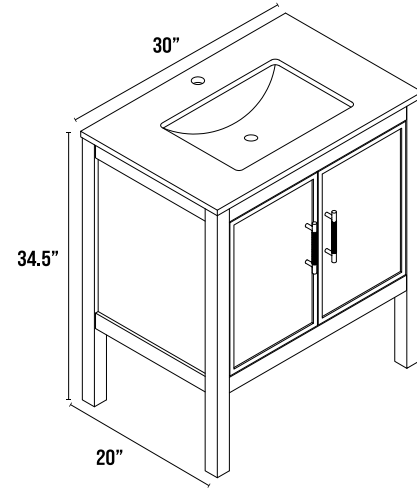
CORDOBA VANITY COLLECTION



MODEL NO.	CORDOBA30	CORDOBA36	CORDOBA42	CORDOBA48	CORDOBA60
WIDTH	30"	36"	42"	48"	60"
HEIGHT	34.5"	34.5"	34.5"	34.5"	34.5"
DEPTH	20"	20"	20"	20"	20"
UNIT WEIGHT	94 Lbs.	112 Lbs.	152 Lbs.	179 Lbs.	223 Lbs.
PALLETIZATION	4 Units/PLT	3 Units/PLT	2 Units/PLT	2 Units/PLT	2 Units/PLT
DOORS	2	2	2	2	
DRAWERS	-	-	2	4	
FAUCET CONFIGURATION	Single Faucet				
OTHER FEATURES	(1) Adjustable Inner Shelf		(2) Adjustable Inner Shelves		



CORDOBA 30



Finishes

Black / Gold

White / Black

Doors

(2) Soft Closing

Dimensions

30" W x 34.5" H x 20" D

Weight

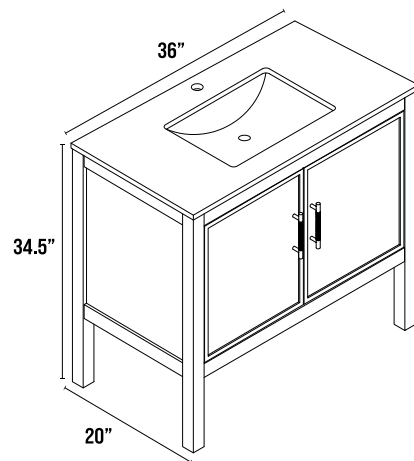
94 LBS.

Palletization

4 Units/PLT



CORDOBA 36



Finishes

Black / Gold

White / Black

Doors

(2) Soft Closing Doors

Dimensions

36" W x 34.5" H x 20" D

Weight

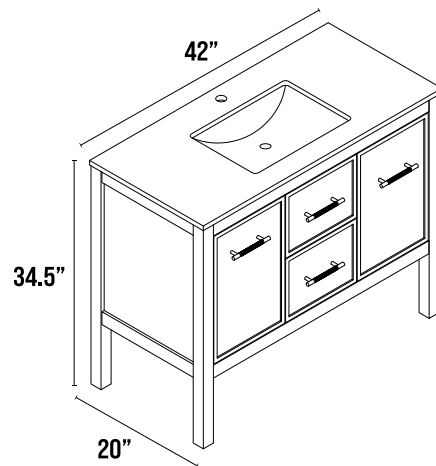
112 LBS.

Palletization

3 Units/PLT



CORDOBA 42



Finishes

Black / Gold

White / Black

Doors / Drawers

- (2) Soft Closing Doors
- (2) Soft Closing Drawers

Dimensions

42" W x 34.5" H x 20" D

Weight

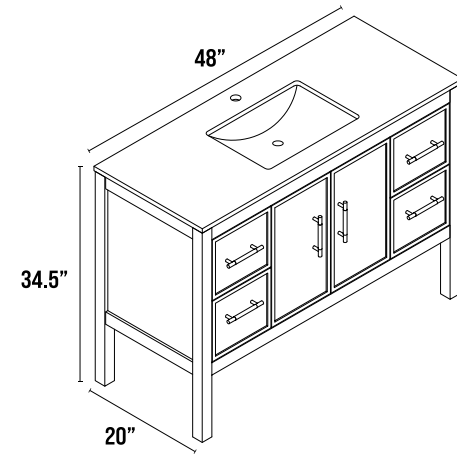
152 LBS.

Palletization

2 Units/PLT



CORDOBA 48



Finishes

Black / Gold

White / Black

Doors / Drawers

(2) Soft Closing Doors
(4) Soft Closing Drawers

Dimensions

48" W x 34.5" H x 20" D

Weight

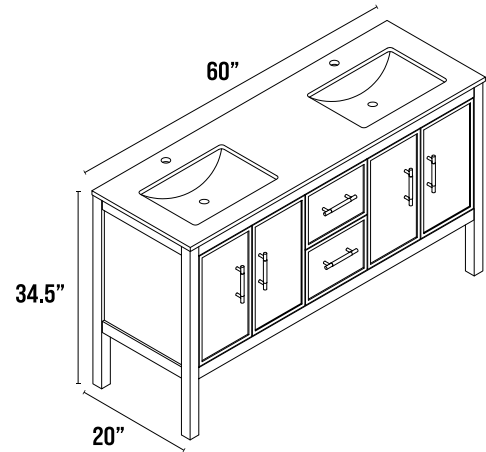
179 LBS.

Palletization

2 Units/PLT



CORDOBA 60



Finishes

Black / Gold

White / Black

Doors / Drawers

- (4) Soft Closing Doors
- (2) Soft Closing Drawers

Dimensions

60" W x 34.5" H x 20" D

Weight

223 LBS.

Palletization

2 Units/PLT



MONZA COLLECTION

MONZA

Live in modern comfort with the Monza Vanity Collection. The open shelf design and soft closing shaker style drawers provide ample storage space while adding a trendy style to any bathroom.

Some assembly required.

BODY

Poplar Wood // MDF with Birch Veneer Overlay and Painted Finish on Drawers and Legs

VANITY TOP

White Engineered Marble

SINK

Built-in 20" Rectangular Ceramic

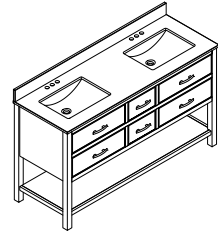
FAUCET CONFIGURATION

Single Faucet (30" / 36")
8" Widespread Faucet (48" / 60")

HARDWARE

Soft Closing Hinges / Drawer Slides
Satin Nickel Drawer Pulls

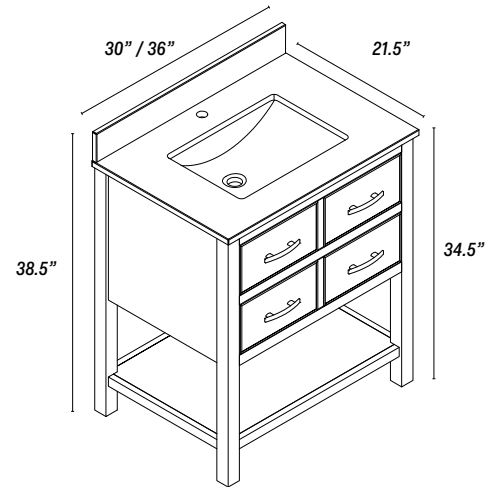
MONZA VANITY COLLECTION



MODEL NO.	MONZA30	MONZA36	MONZA48	MONZA60
WIDTH	30"	36"	48"	60"
HEIGHT	34.5"	34.5"	34.5"	34.5"
DEPTH	21.5"	21.5"	21.5"	21.5"
UNIT WEIGHT	147.9 Lbs.	178 Lbs.	236 Lbs.	295 Lbs.
PALLETIZATION	4 Units/PLT	3 Units/PLT	2 Units/PLT	2 Units/PLT
DOORS	-	-	-	-
DRAWERS	(2) U-Shaped	(2) U-Shaped	(4) Standard	(6) Standard
FAUCET CONFIGURATION	Single Faucet		8" Widespread Faucet	
OTHER FEATURES	Open Bottom Shelf			



MONZA 30 / 36



Finishes

Navy/Nickel

Grey/Nickel

Drawers

(4) Soft Closing

Dimensions

Monza30 30" W x 34.5" H x 21.5" D

Monza36 36" W x 34.5" H x 21.5" D

Weight

147.9 LBS.

178 LBS.

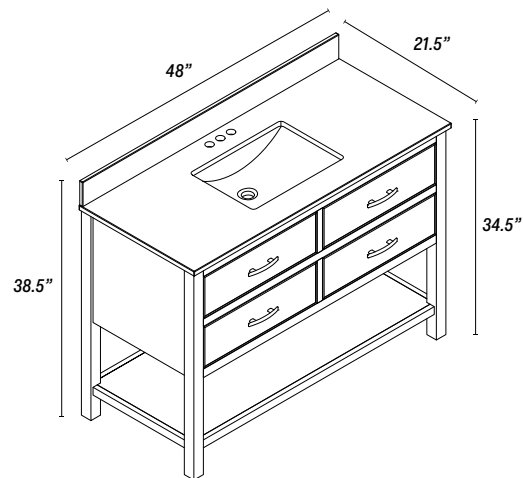
Palletization

4 Units/PLT

3 Units/PLT



MONZA 48



Finishes

Navy/Nickel

Grey/Nickel

Drawers

(4) Soft Closing

Dimensions

48" W x 34.5" H x 21.5" D

Weight

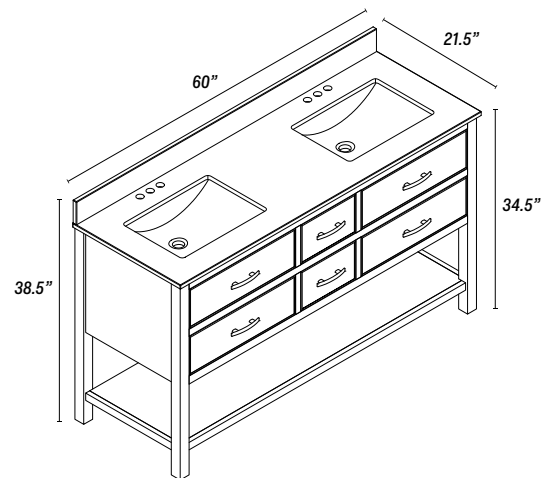
236 LBS.

Palletization

2 Units/PLT



MONZA 60



Finishes

Navy/Nickel

Grey/Nickel

Drawers

(6) Soft Closing

Dimensions

60" W x 34.5" H x 21.5" D

Weight

295 LBS.

Palletization

2 Units/PLT

**TORINO COLLECTION**

TORINO

With a solid poplar wood base featuring distinctive panelling and a white natural carrara marble countertop, the Torino Vanity Collection gives a luxurious and clean finish to any bathroom space.

Best of all – these vanities are fully assembled.

BODY

Poplar Wood // MDF with Painted Finish
on Doors, Drawers and Legs

VANITY TOP

Natural White Cararra Marble

SINK

Built-in 20" Rectangular Ceramic

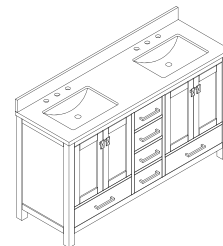
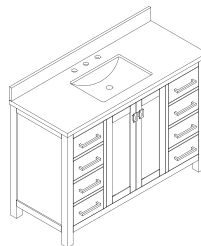
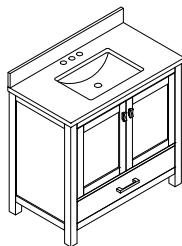
FAUCET CONFIGURATION

8" Widespread

HARDWARE

Soft Closing Hinges / Drawer Slides
Aluminum Alloy Pulls with Brushed
Nickel Finish

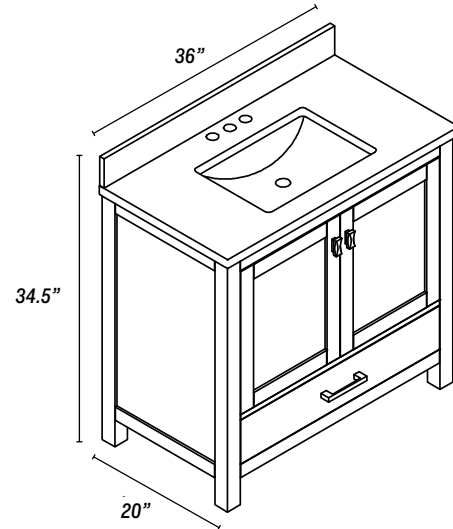
TORINO VANITY COLLECTION



MODEL NO.	TORINO36	TORINO48	TORINO60
WIDTH	36"	48"	60"
HEIGHT	34.5"	34.5"	34.5"
DEPTH	20"	20"	20"
UNIT WEIGHT	198 LBS.	287 LBS.	339 LBS.
PALLETIZATION	3 Units/PLT	2 Units/PLT	2 Units/PLT
DOORS	(2) Shaker	(2) Shaker with Inner Shelf	(4) Shaker with (2) Inner Shelves
DRAWERS	(1) Standard	(4) Standard (2) Double Deep	(2) Standard (1) Double Deep
FAUCET CONFIGURATION	8" Widespread Faucet		
OTHER FEATURES	Removable Backsplash		



TORINO 36



Finishes

Grey/Nickel

White/Nickel

Doors / Drawers

(2) Soft Close Shaker Doors
(1) Soft Close Drawer

Dimensions

36" W x 34.5" H x 20" D

Weight

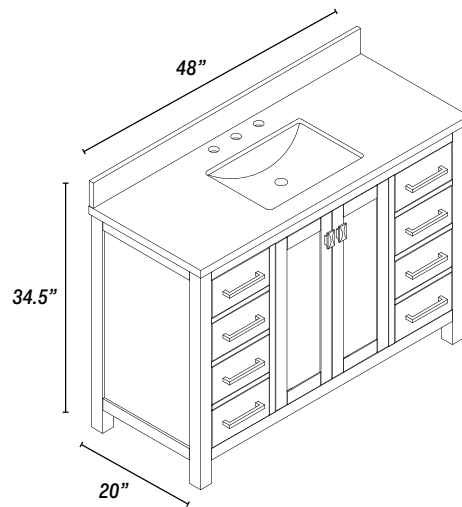
198 LBS.

Palletization

4 Units/PLT



TORINO 48



Finishes

Grey/Nickel

White/Nickel

Doors / Drawers

- (2) Soft Close Shaker Doors
- (4) Soft Close Standard Drawers
- (2) Soft Close Double Deep Drawers

Dimensions

48" W x 34.5" H x 20" D

Weight

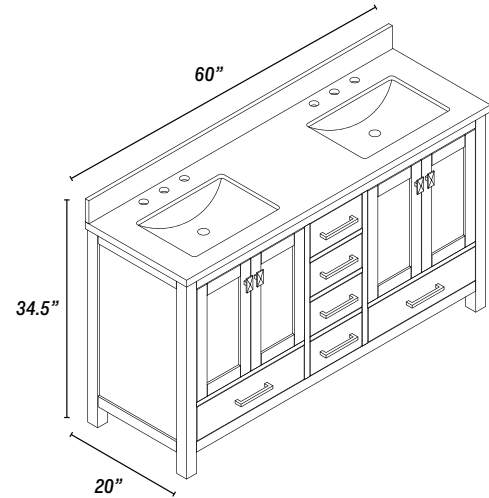
287 LBS.

Palletization

2 Units/PLT



TORINO 60



Finishes

Grey/Nickel

White/Nickel

Doors / Drawers

- (2) Soft Close Shaker Doors
- (4) Soft Close Standard Drawers
- (2) Soft Close Double Deep Drawers

Dimensions

60" W x 34.5" H x 20" D

Weight

339 LBS.

Palletization

2 Units/PLT



BRAYLEE COLLECTION

BRAYLEE

The beauty of these cabinets reside in their simplicity - with its soft finish and brushed nickel accents, the Braylee Collection will enhance any bathroom in need of modernization.

Some Assembly Required.

BODY

Particle Board with Melamine Overlay //
MDF with PVC Overlay on Doors, Drawers
and Legs

VANITY TOP

White Ceramic

SINK

Built-in 20" Rectangular Ceramic

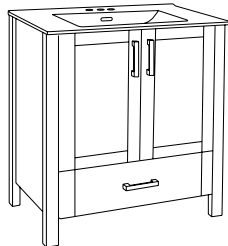
FAUCET CONFIGURATION

4" Centerset Faucet

HARDWARE

Soft Closing Hinges / Drawer Slides
Aluminum Alloy with Stained Silver Finish

BRAYLEE VANITY COLLECTION

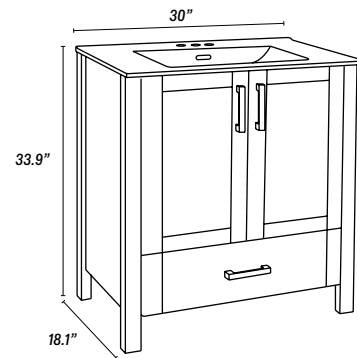
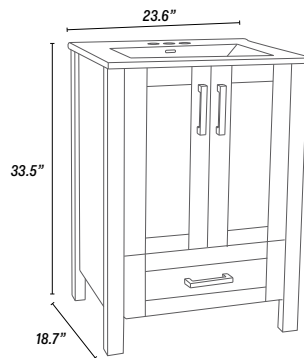


MODEL NO.	BRAYLEE24	BRAYLEE30
WIDTH	24"	30"
HEIGHT	33.5"	33.5"
DEPTH	18.7"	18.3"
UNIT WEIGHT	96 LBS.	114.6 LBS.
PALLETIZATION	8Units/PLT	6 Units/PLT
DOORS	(2) Shaker Style	
DRAWERS	(1) Shaker Style	
FAUCET CONFIGURATION	4" Centerset Faucet	





BRAYLEE 24 / 30



Finishes

Grey/Silver

White/Silver

Doors / Drawers

- (2) Soft Close Shaker Doors
- (1) Soft Close Shaker Drawer

Dimensions

Braylee24	23.6" W x 33.5" H x 18.7" D
Braylee30	30" W x 33.9" H x 18.1" D

Weight

96 LBS.
114.6 LBS.

Palletization

8 Units/PLT
6 Units/PLT



ROME COLLECTION

ROME

These 24" single vanities give a smaller bathroom a modern minimalist vibe with its sleek finish and streamlined bar pulls.

Some Assembly Required.

BODY

Honeycomb Board with Melamine Overlay //
Particle Board with Melamine Overlay on Doors
and Drawers

VANITY TOP

White Ceramic

SINK

Built-in 20" Rectangular Ceramic

FAUCET CONFIGURATION

4" Centerset Faucet

HARDWARE

Soft Closing Hinges / Drawer Slides
Aluminum Alloy with Stained Silver Finish

ROME VANITY COLLECTION

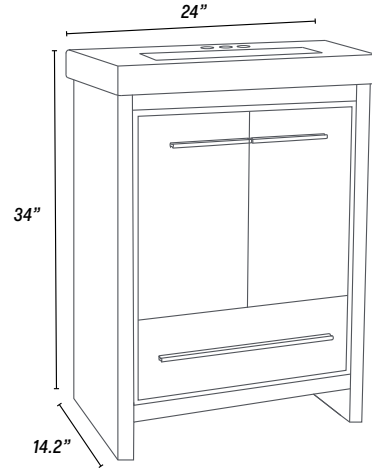


MODEL NO.	ROME24
WIDTH	24"
HEIGHT	34"
DEPTH	14.2"
UNIT WEIGHT	96 LBS.
PALLETIZATION	12 Units/PLT
DOORS	(2) Standard
DRAWERS	(1) Standard
FAUCET CONFIGURATION	4" Centerset Faucet





ROME 24



Finishes



Doors / Drawers

- (2) Soft Close Doors
- (1) Soft Close Standard Drawer

Dimensions

24" W x 34" H x 14.2" D

Weight

96 LBS.

Palletization

12 Units/PLT

CONTRACTOR SOLUTIONS

®

 [.com/cancellindustries](https://www.facebook.com/cancellindustries)  [cancell_industries](https://www.instagram.com/cancell_industries)



1-800-661-5031 • [can-cell.com](https://www.can-cell.com)