

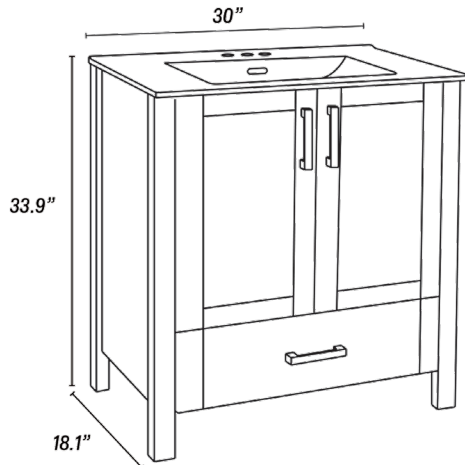
# FREESTANDING VANITIES

## BRAYLEE 30



### Features

- Particle Board with Melamine on Body and MDF with PVC on Doors, Drawers and Legs
- Shaker Style Drawers and Doors
- Ceramic Vanity Top
- Aluminum Alloy Square Style Pulls with Stained Silver Finish



### Assembly

Some Assembly Required



SCAN TO DOWNLOAD  
Assembly Guide

### OVERVIEW

FINISHES	GREY and WHITE
UPC'S	773967316223 (Grey) 773967316230 (White)
LENGTH	18.3"
WIDTH	30"
HEIGHT	33.5"
WEIGHT	114.6 LBS

### VANITY TOP

MATERIAL	High Gloss Ceramic
SINK	(1) One Rectangular Ceramic
FAUCET CONFIGURATION <i>*Faucet not included</i>	(3) Three Pre-Drilled Holes for a 4" Center Set Faucet

### DOORS/DRAWERS

COUNT	(1) One Drawer (2) Two Doors
STYLE	Shaker Style Soft Close
HARDWARE	Aluminum Alloy with Stained Silver Finish

### OTHER FEATURES

SINK	Rear Integral Overflow
------	------------------------